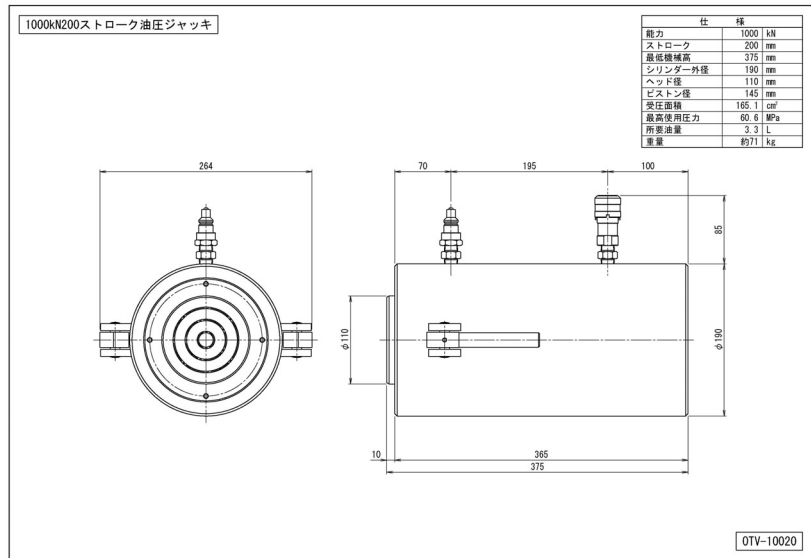


# 圧力荷重換算表

## 1000kN200ストローク 油圧ジャッキ

|        |                       |
|--------|-----------------------|
| 最低機械高  | 375 mm                |
| 受圧面積   | 165.1 cm <sup>2</sup> |
| 最高使用圧力 | 60.6 MPa              |
| 所要油量   | 3.3 L                 |
| 重量     | 約71 kg                |

圧力 : MPa  $\times 10.2$  kg/cm<sup>2</sup>  
 荷重 : ton  $\times 9.8$  kN  
 圧力[MPa] × 受圧面積[cm<sup>2</sup>] / 10 = 荷重[kN]



| 圧力  |                    | 荷重  |      |
|-----|--------------------|-----|------|
| MPa | kg/cm <sup>2</sup> | kN  | ton  |
| 1   | 10                 | 17  | 1.7  |
| 2   | 20                 | 33  | 3.4  |
| 3   | 31                 | 50  | 5.1  |
| 4   | 41                 | 66  | 6.7  |
| 5   | 51                 | 83  | 8.4  |
| 6   | 61                 | 99  | 10.1 |
| 7   | 71                 | 116 | 11.8 |
| 8   | 82                 | 132 | 13.5 |
| 9   | 92                 | 149 | 15.2 |
| 10  | 102                | 165 | 16.8 |
| 11  | 112                | 182 | 18.5 |
| 12  | 122                | 198 | 20.2 |
| 13  | 133                | 215 | 21.9 |
| 14  | 143                | 231 | 23.6 |
| 15  | 153                | 248 | 25.3 |
| 16  | 163                | 264 | 26.9 |
| 17  | 173                | 281 | 28.6 |
| 18  | 184                | 297 | 30.3 |
| 19  | 194                | 314 | 32.0 |
| 20  | 204                | 330 | 33.7 |

| 圧力  |                    | 荷重  |      |
|-----|--------------------|-----|------|
| MPa | kg/cm <sup>2</sup> | kN  | ton  |
| 21  | 214                | 347 | 35.4 |
| 22  | 224                | 363 | 37.0 |
| 23  | 235                | 380 | 38.7 |
| 24  | 245                | 396 | 40.4 |
| 25  | 255                | 413 | 42.1 |
| 26  | 265                | 429 | 43.8 |
| 27  | 275                | 446 | 45.5 |
| 28  | 286                | 462 | 47.2 |
| 29  | 296                | 479 | 48.8 |
| 30  | 306                | 495 | 50.5 |
| 31  | 316                | 512 | 52.2 |
| 32  | 326                | 528 | 53.9 |
| 33  | 337                | 545 | 55.6 |
| 34  | 347                | 561 | 57.3 |
| 35  | 357                | 578 | 58.9 |
| 36  | 367                | 594 | 60.6 |
| 37  | 377                | 611 | 62.3 |
| 38  | 388                | 627 | 64.0 |
| 39  | 398                | 644 | 65.7 |
| 40  | 408                | 660 | 67.4 |

| 圧力   |                    | 荷重   |       |
|------|--------------------|------|-------|
| MPa  | kg/cm <sup>2</sup> | kN   | ton   |
| 41   | 418                | 677  | 69.0  |
| 42   | 428                | 693  | 70.7  |
| 43   | 439                | 710  | 72.4  |
| 44   | 449                | 726  | 74.1  |
| 45   | 459                | 743  | 75.8  |
| 46   | 469                | 759  | 77.5  |
| 47   | 479                | 776  | 79.1  |
| 48   | 490                | 792  | 80.8  |
| 49   | 500                | 809  | 82.5  |
| 50   | 510                | 826  | 84.2  |
| 51   | 520                | 842  | 85.9  |
| 52   | 530                | 859  | 87.6  |
| 53   | 541                | 875  | 89.3  |
| 54   | 551                | 892  | 90.9  |
| 55   | 561                | 908  | 92.6  |
| 56   | 571                | 925  | 94.3  |
| 57   | 581                | 941  | 96.0  |
| 58   | 592                | 958  | 97.7  |
| 59   | 602                | 974  | 99.4  |
| 60   | 612                | 991  | 101.0 |
| 60.6 | 618                | 1001 | 102.1 |