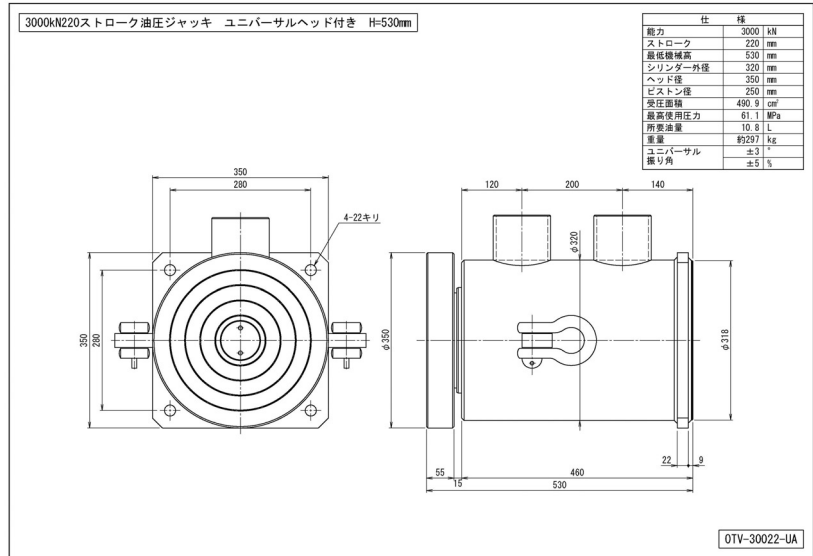


圧力荷重換算表

3000kN220ストローク油圧ジャッキ ユニバーサルヘッド付き H=530mm

| | |
|--------|-----------------------|
| 最低機械高 | 530 mm |
| 受圧面積 | 490.9 cm ² |
| 最高使用圧力 | 61.1 MPa |
| 所要油量 | 10.8 L |
| 重量 | 約297 kg |

圧力 : MPa $\times 10.2$ \rightarrow kg/cm²
 荷重 : ton $\times 9.8$ \rightarrow kN
 圧力[MPa] × 受圧面積[cm²]/10=荷重[kN]



| 圧力 | | 荷重 | |
|-----|--------------------|-----|-------|
| MPa | kg/cm ² | kN | ton |
| 1 | 10 | 49 | 5.0 |
| 2 | 20 | 98 | 10.0 |
| 3 | 31 | 147 | 15.0 |
| 4 | 41 | 196 | 20.0 |
| 5 | 51 | 245 | 25.0 |
| 6 | 61 | 295 | 30.0 |
| 7 | 71 | 344 | 35.1 |
| 8 | 82 | 393 | 40.1 |
| 9 | 92 | 442 | 45.1 |
| 10 | 102 | 491 | 50.1 |
| 11 | 112 | 540 | 55.1 |
| 12 | 122 | 589 | 60.1 |
| 13 | 133 | 638 | 65.1 |
| 14 | 143 | 687 | 70.1 |
| 15 | 153 | 736 | 75.1 |
| 16 | 163 | 785 | 80.1 |
| 17 | 173 | 835 | 85.1 |
| 18 | 184 | 884 | 90.1 |
| 19 | 194 | 933 | 95.1 |
| 20 | 204 | 982 | 100.1 |

| 圧力 | | 荷重 | |
|-----|--------------------|------|-------|
| MPa | kg/cm ² | kN | ton |
| 21 | 214 | 1031 | 105.2 |
| 22 | 224 | 1080 | 110.2 |
| 23 | 235 | 1129 | 115.2 |
| 24 | 245 | 1178 | 120.2 |
| 25 | 255 | 1227 | 125.2 |
| 26 | 265 | 1276 | 130.2 |
| 27 | 275 | 1325 | 135.2 |
| 28 | 286 | 1375 | 140.2 |
| 29 | 296 | 1424 | 145.2 |
| 30 | 306 | 1473 | 150.2 |
| 31 | 316 | 1522 | 155.2 |
| 32 | 326 | 1571 | 160.2 |
| 33 | 337 | 1620 | 165.2 |
| 34 | 347 | 1669 | 170.2 |
| 35 | 357 | 1718 | 175.3 |
| 36 | 367 | 1767 | 180.3 |
| 37 | 377 | 1816 | 185.3 |
| 38 | 388 | 1865 | 190.3 |
| 39 | 398 | 1915 | 195.3 |
| 40 | 408 | 1964 | 200.3 |

| 圧力 | | 荷重 | |
|------|--------------------|------|-------|
| MPa | kg/cm ² | kN | ton |
| 41 | 418 | 2013 | 205.3 |
| 42 | 428 | 2062 | 210.3 |
| 43 | 439 | 2111 | 215.3 |
| 44 | 449 | 2160 | 220.3 |
| 45 | 459 | 2209 | 225.3 |
| 46 | 469 | 2258 | 230.3 |
| 47 | 479 | 2307 | 235.3 |
| 48 | 490 | 2356 | 240.3 |
| 49 | 500 | 2405 | 245.4 |
| 50 | 510 | 2455 | 250.4 |
| 51 | 520 | 2504 | 255.4 |
| 52 | 530 | 2553 | 260.4 |
| 53 | 541 | 2602 | 265.4 |
| 54 | 551 | 2651 | 270.4 |
| 55 | 561 | 2700 | 275.4 |
| 56 | 571 | 2749 | 280.4 |
| 57 | 581 | 2798 | 285.4 |
| 58 | 592 | 2847 | 290.4 |
| 59 | 602 | 2896 | 295.4 |
| 60 | 612 | 2945 | 300.4 |
| 61 | 622 | 2994 | 305.4 |
| 61.1 | 623 | 2999 | 305.9 |