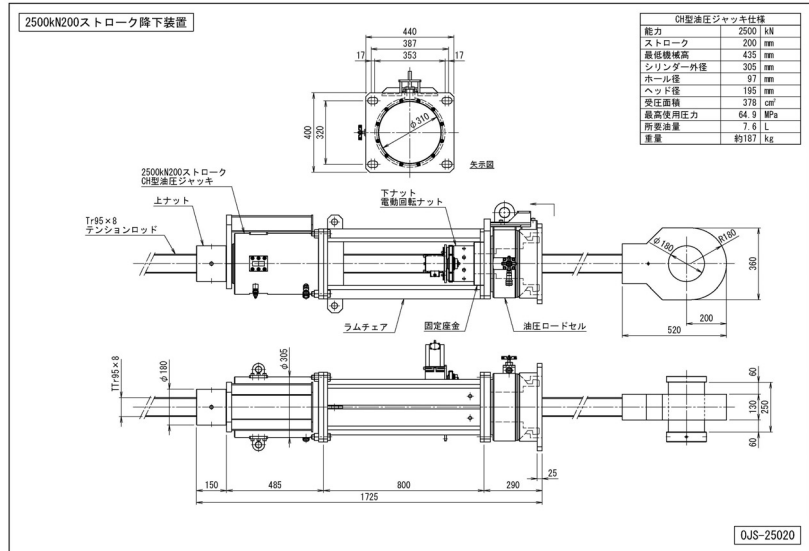


圧力荷重換算表

2500kN200ストローク 降下装置

| | |
|--------|---------------------|
| 受圧面積 | 378 cm ² |
| 最高使用圧力 | 66.2 MPa |
| 所要油量 | 7.6 L |

圧力 : MPa $\times 10.2$ kg/cm²
 荷重 : ton $\times 9.8$ kN
 圧力[MPa] \times 受圧面積[cm²]/10=荷重[kN]



| 圧力 | | 荷重 | |
|-----|--------------------|-----|------|
| MPa | kg/cm ² | kN | ton |
| 1 | 10 | 38 | 3.9 |
| 2 | 20 | 76 | 7.7 |
| 3 | 31 | 113 | 11.6 |
| 4 | 41 | 151 | 15.4 |
| 5 | 51 | 189 | 19.3 |
| 6 | 61 | 227 | 23.1 |
| 7 | 71 | 265 | 27.0 |
| 8 | 82 | 302 | 30.8 |
| 9 | 92 | 340 | 34.7 |
| 10 | 102 | 378 | 38.6 |
| 11 | 112 | 416 | 42.4 |
| 12 | 122 | 454 | 46.3 |
| 13 | 133 | 491 | 50.1 |
| 14 | 143 | 529 | 54.0 |
| 15 | 153 | 567 | 57.8 |
| 16 | 163 | 605 | 61.7 |
| 17 | 173 | 643 | 65.5 |
| 18 | 184 | 680 | 69.4 |
| 19 | 194 | 718 | 73.3 |
| 20 | 204 | 756 | 77.1 |

| 圧力 | | 荷重 | |
|-----|--------------------|------|-------|
| MPa | kg/cm ² | kN | ton |
| 21 | 214 | 794 | 81.0 |
| 22 | 224 | 832 | 84.8 |
| 23 | 235 | 869 | 88.7 |
| 24 | 245 | 907 | 92.5 |
| 25 | 255 | 945 | 96.4 |
| 26 | 265 | 983 | 100.2 |
| 27 | 275 | 1021 | 104.1 |
| 28 | 286 | 1058 | 108.0 |
| 29 | 296 | 1096 | 111.8 |
| 30 | 306 | 1134 | 115.7 |
| 31 | 316 | 1172 | 119.5 |
| 32 | 326 | 1210 | 123.4 |
| 33 | 337 | 1247 | 127.2 |
| 34 | 347 | 1285 | 131.1 |
| 35 | 357 | 1323 | 134.9 |
| 36 | 367 | 1361 | 138.8 |
| 37 | 377 | 1399 | 142.7 |
| 38 | 388 | 1436 | 146.5 |
| 39 | 398 | 1474 | 150.4 |
| 40 | 408 | 1512 | 154.2 |

| 圧力 | | 荷重 | |
|------|--------------------|------|-------|
| MPa | kg/cm ² | kN | ton |
| 41 | 418 | 1550 | 158.1 |
| 42 | 428 | 1588 | 161.9 |
| 43 | 439 | 1625 | 165.8 |
| 44 | 449 | 1663 | 169.6 |
| 45 | 459 | 1701 | 173.5 |
| 46 | 469 | 1739 | 177.4 |
| 47 | 479 | 1777 | 181.2 |
| 48 | 490 | 1814 | 185.1 |
| 49 | 500 | 1852 | 188.9 |
| 50 | 510 | 1890 | 192.8 |
| 51 | 520 | 1928 | 196.6 |
| 52 | 530 | 1966 | 200.5 |
| 53 | 541 | 2003 | 204.3 |
| 54 | 551 | 2041 | 208.2 |
| 55 | 561 | 2079 | 212.1 |
| 56 | 571 | 2117 | 215.9 |
| 57 | 581 | 2155 | 219.8 |
| 58 | 592 | 2192 | 223.6 |
| 59 | 602 | 2230 | 227.5 |
| 60 | 612 | 2268 | 231.3 |
| 61 | 622 | 2306 | 235.2 |
| 62 | 632 | 2344 | 239.0 |
| 63 | 643 | 2381 | 242.9 |
| 64 | 653 | 2419 | 246.8 |
| 65 | 663 | 2457 | 250.6 |
| 66 | 673 | 2495 | 254.5 |
| 66.2 | 675 | 2502 | 255.2 |